

BLASTER X[®] SENZ 3D[™]
NEXT GENERATION 3D WEBCAM



User's Guide

Model No: VF0810

Introduction

BlasterX[®] Senz3D is a game-changer enabling computers to recognize and understand facial expressions, hand gestures and spoken words, including 3D scanning support.

Minimum System Requirements

- PC or laptop with 6th generation Intel[®] Core[™] processor or higher
- Microsoft[®] Windows[®] 10 64-bit
- 8 GB RAM
- 8 GB of free hard disk space
- USB 3.0 port

Registering Your Product

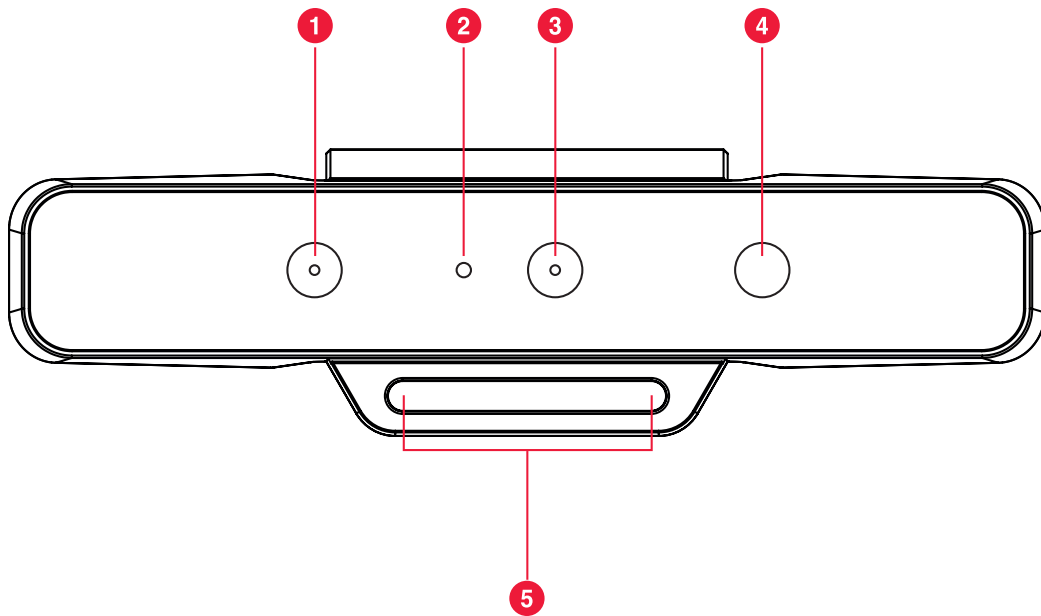
Registering your product ensures you receive the most appropriate service and product support available. You can register your product during installation or at [register.creative.com](https://www.creative.com/register).

Please note that your warranty rights are not dependent on registration.

More Help

For the latest news and products, please visit www.creative.com. The site also includes information on making purchases, technical help and the latest software updates.

About Your Hardware

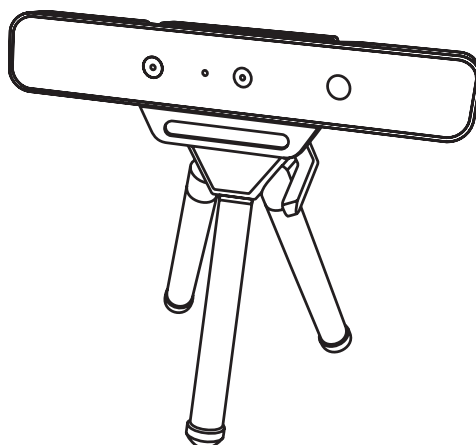
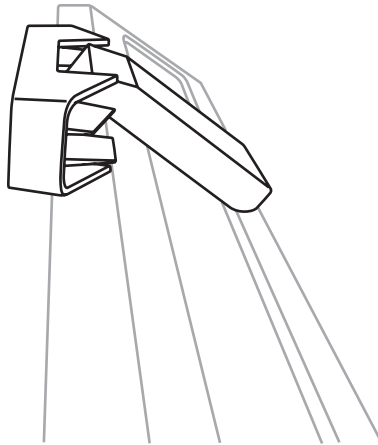


	Feature	Description
1	IR Camera	Used with the IR Laser Projector for object depth and location
2	Green LED	Power indicator
3	Full HD RGB Camera	Full HD 3D color camera for 1080p@30fps capture in either RGB or YUV 4:2:2 color
4	IR Laser Projector	Coded light technology for 3D depth videos
5	Dual Mic Array	Beamforming microphone array for crystal-clear voice pick up with noise reduction

Setting Up Your Device

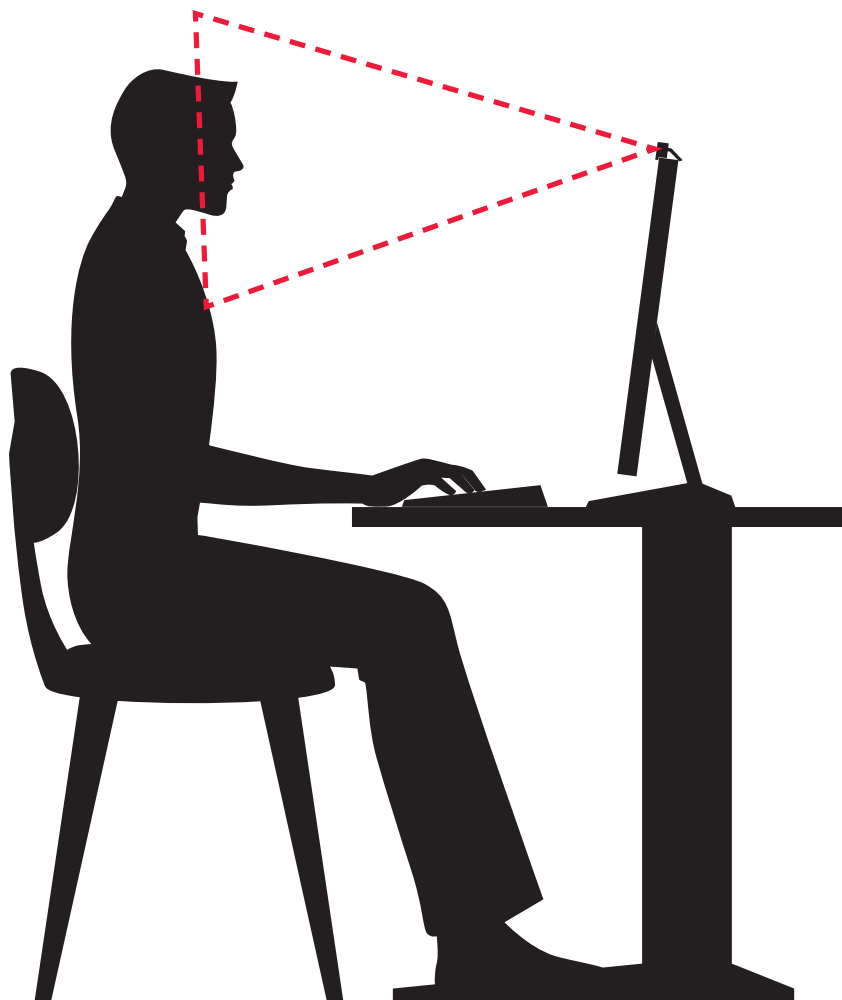
Step 1: Positioning of BlasterX Senz3D

Mount the camera on top of a video screen, a monitor, or a mini tripod.



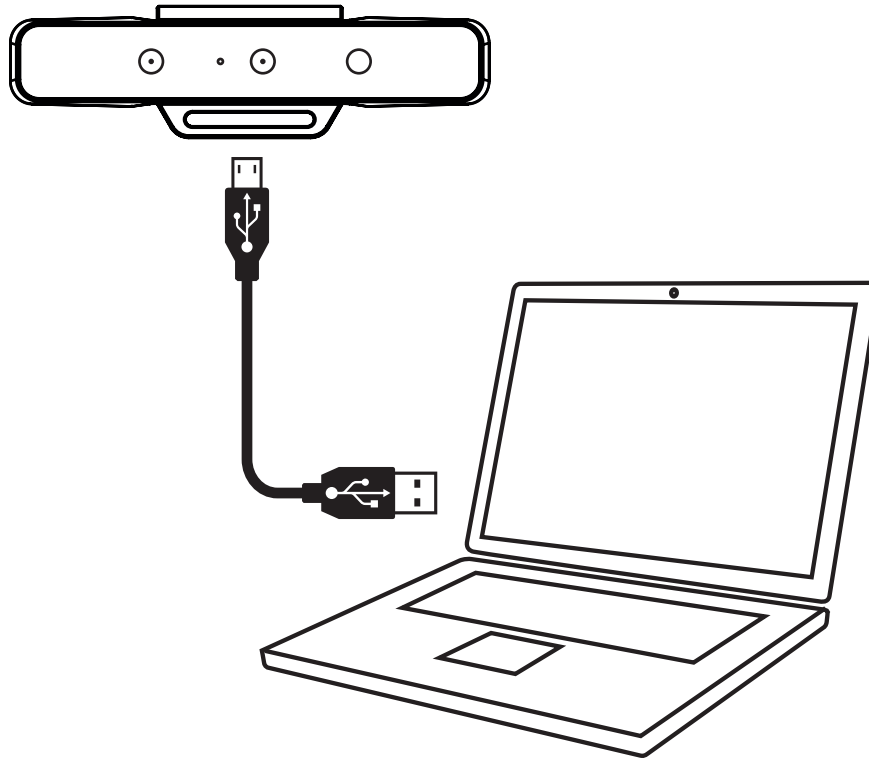
For most effective interaction

Position yourself between 20cm to 150cm from BlasterX Senz3D for optimal performance.



Step 2: Connecting to computer

Connect your BlasterX Senz3D directly to a USB 3.0 port on your computer.



Installing and Uninstalling Software

To take full advantage of your BlasterX Senz3D, you need to install device drivers and applications.

Installing Drivers and Applications

Ensure that your device is connected before proceeding.

After you have connected your device, turn on your computer. Windows automatically detects your device and searches for device drivers.

1. Using a standard web browser, visit www.creative.com/support/BlasterXSenz3D.
2. Locate **BlasterX Senz3D** and the software package for your Windows operating system.
3. Download this package into your local hard disk.
4. Locate and launch the software package.
5. Follow the on-screen instructions to complete the installation.
6. When prompted, restart your computer.
7. Launch the application by locating and clicking **BlasterX Acoustic Engine Pro**.

Uninstalling Drivers and Applications

In the event that an uninstallation is required (such as for upgrades), please follow the following procedure.

Before you begin, close all running applications. Applications that are still running during uninstallation may not be removed.

1. From the **Control Panel**, click **Uninstall a program**.
2. Select BlasterX Senz3D.
3. Click the **Uninstall** button or option.
If the **User Account Control** dialog box appears, click the **Continue** button.
4. Click the **Yes** button.
5. When prompted, restart your computer.

Using Your Device

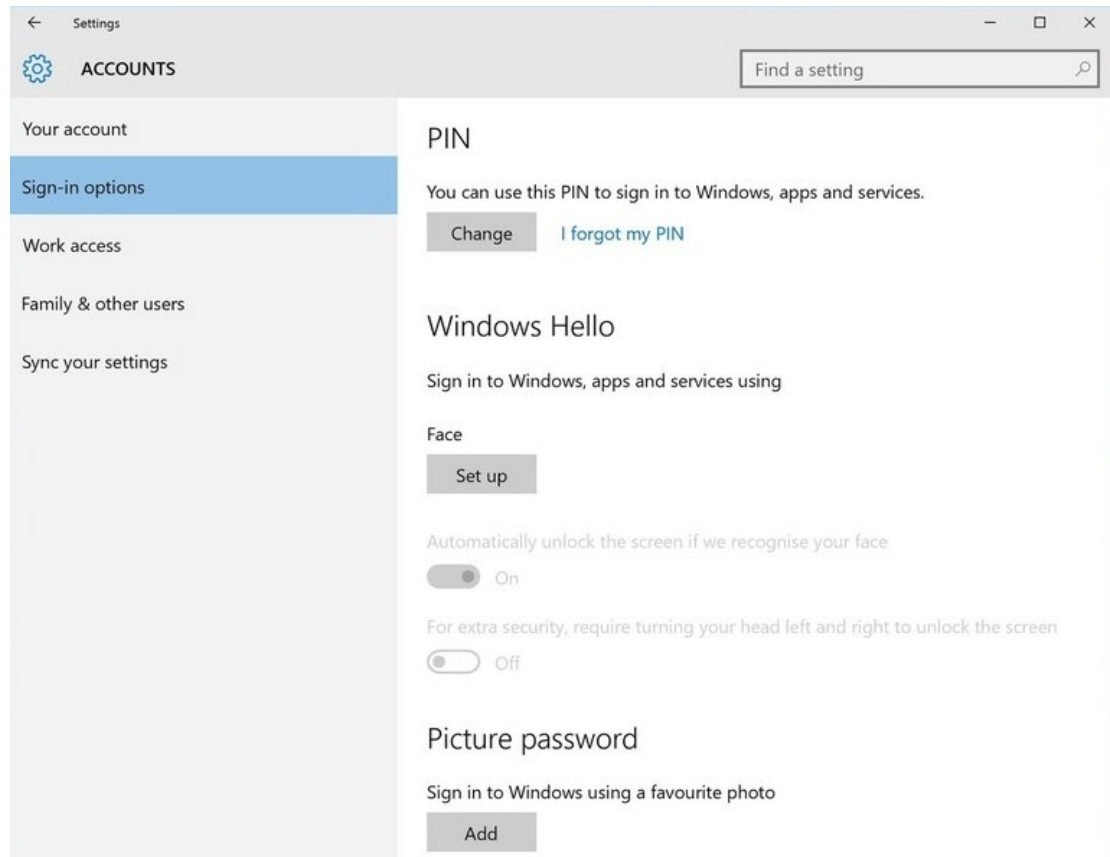
3D Face Sensing



Use BlasterX Senz3D with Windows Hello for a more personal and secure way to sign in to your Windows 10 devices with just a look.

Windows Hello

Select the **Start** button > **Settings** > **Accounts** > **Sign-in options** > Windows Hello > select **Set up** for Face.



Note:

The device should be ideally centered above the display and angled vertically toward the user's face for optimum performance.

3D Scanning



Scan and save a piece of art, a flower, a toy – even your own face. Save your scan as-is, or manipulate it into something new. Share it digitally, or print it out with a 3D printer.

Video Call & Chat



Be heard clearly during Skype® calls or game chats with the built-in dual microphone array that eliminate background noise and echoes.

To enhance voice quality, see **Using the Creative Software Suite – Clarity Settings**.

You may choose to morph your voice with special effects with the Voice FX too! See **Having Fun with Voice FX**.

Background Removal



Superimpose game play during your Twitch™ broadcast or change your background in a Skype call.

Gesture Control





Interact more naturally with games or your PC using BlasterX Senz3D to track your hand movement.

Voice Control

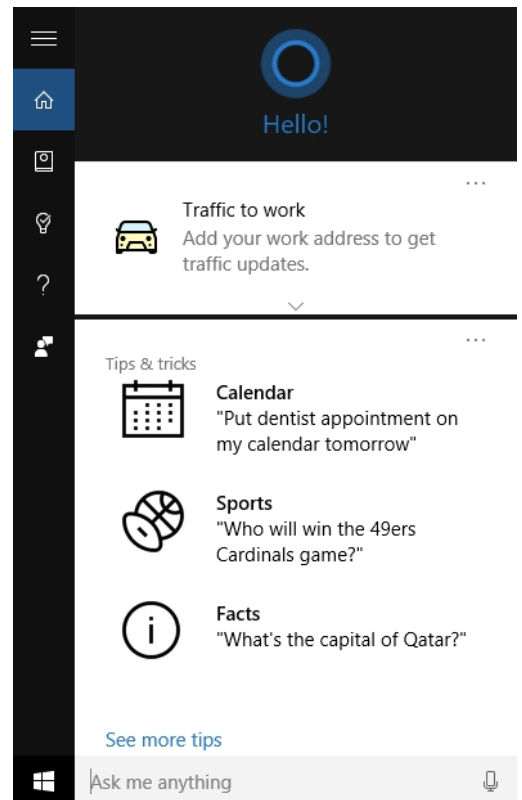


Experience the full power of Windows 10 with Cortana®, your voice-activated personal assistant.

1. Select the search  box on the taskbar.
2. Select the microphone  icon and talk to Cortana.

Note:

For more information, visit <http://windows.microsoft.com/en-us/windows-10/getstarted-what-is-cortana>.



Using the Creative Software Suite

A software suite for the BlasterX Senz3D is developed to provide additional enhancements to the voice inputs of the product.

Applications


- BlasterX Acoustic Engine Pro



- Creative Online Registration
- Creative System Information

Automatic Software Update

Locating, downloading and installing updates for your Creative product is now simpler and faster with the in-app Automatic Software Update system.

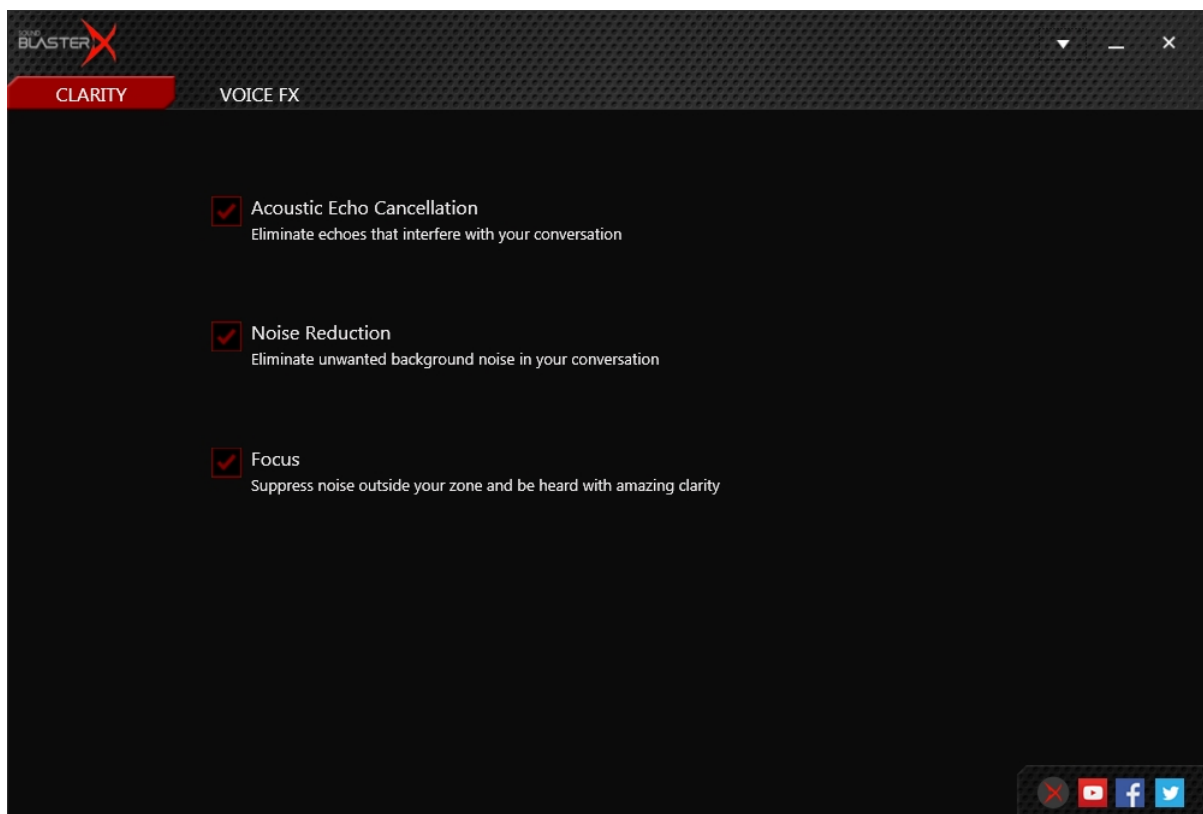
1. Connect your product to your computer.
2. Launch the **BlasterX Acoustic Engine Pro** application.
3. Click  to go to the settings menu, and then select **Software Update**.
4. Follow the instructions on the screen.

Note:

An Internet connection is necessary. Ensure that your system is connected to the Internet before you perform the check for software updates.

BlasterX Acoustic Engine Pro

Clarity Settings

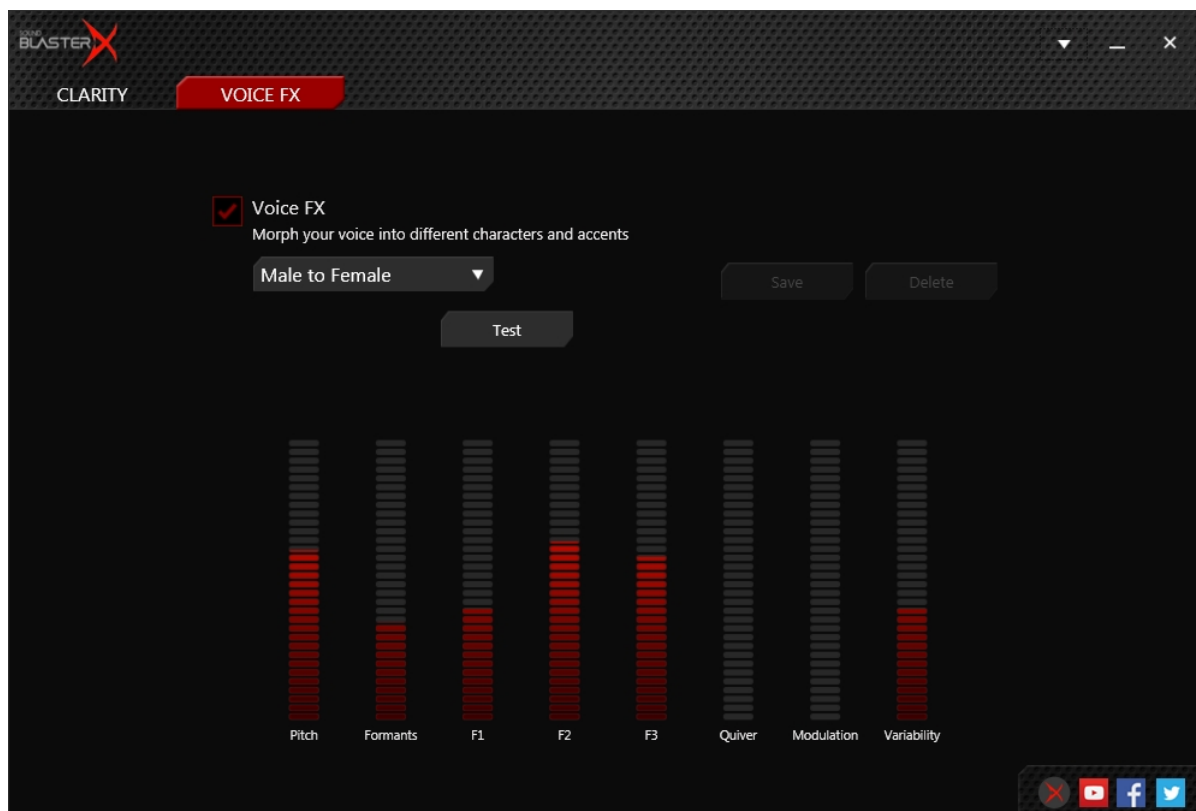


Improve the clarity of your conversations by enabling the following:

- **Acoustic Echo Cancellation** to eliminate echoes that interfere with conversations.
- **Noise Reduction** to eliminate unwanted background noise in your conversation.
- **Focus** to suppress noise outside your zone and be heard with amazing clarity.

Voice FX Settings

Voice FX enables the speaker's voice to be altered with a variety of effects, which can be used to enhance the tone of the speaker's voice, create interesting accents or to sound like a completely different person.



Having Fun with Voice FX

1. Click to enable this feature, then click the Voice FX drop-down arrow and select a preset from the list.
2. Selecting a preset will move the Voice FX sliders to the appropriate values. You can then adjust the Voice FX setting by dragging the sliders up or down to the desired level.
3. Click **Save** to save the new configuration as a new preset.
4. To test the effects of the audio enhancements, click **Test** and speak into your microphone.

Regulatory Information

Notice for the USA

Federal Communication Commission (FCC) Interference Statement

FCC Part 15: This equipment has been tested and found to comply with the limits for a Class B digital device, pursuant to Part 15 of the FCC Rules. These limits are designed to provide reasonable protection against harmful interference in a residential installation. This equipment generates, uses and can radiate radio frequency energy and, if no installed and used in accordance with instructions, may cause harmful interference to radio communications. However, there is no guarantee that interference will not occur in a particular installation. If this equipment does cause harmful interference to radio or television reception, which can be determined by turning the equipment off and on, the user is encouraged to try to correct the interference by one or more of the following measures:

- Reorient or relocate the receiving antenna.
- Increase the separation between the equipment and receiver.
- Connect the equipment to an outlet on a circuit different from that to which the receiver is connected.
- Consult the dealer or an experienced radio/TV technician for help.

This device complies with part 15 of the FCC Rules. Operation is subjected to the following two conditions:

1. This device may not cause harmful interference, and
2. This device must accept any interference received, including interference that may cause undesired operation.

CAUTION: To comply with the limits of the Class B digital device, pursuant to Part 15 of the FCC Rules, this device must be installed with computer equipment certified to comply with Class B limits.

All cables used to connect to the computer and peripherals must be shielded and grounded. Operation with non-certified computers or non-shielded cables may result in interference to radio or television reception.

MODIFICATION: Any changes or modifications not expressly approved by the grantee of this device could void the user's authority to operate the device.

Notice for Canada

This Class B digital apparatus complies with Canadian ICES-003.

Cet appareil numérique de la classe B est conforme à la norme NMB-003 du Canada.

CANADIAN CLASS B STATEMENT: This digital device does not exceed the Class B limits for radio noise emissions from digital apparatus as set out in the interference-causing equipment statement entitled "Digital Apparatus", ICES-003 of the Department of Communications.

Cet appareil numérique respecte les limites de bruits radioélectriques applicables aux appareils numériques de Class B prescrites dans la norme sur le matériel brouilleur. "Appareils Numériques," NMB-003 édictée par le ministre des Communications.

MODIFICATION: Any changes or modifications not expressly approved by the grantee of this device could void the user's authority to operate the device.

Toute modification non approuvée explicitement par le fournisseur de licence de l'appareil peut entraîner l'annulation du droit de l'utilisateur à utiliser l'appareil.

DECLARATION OF CONFORMITY

According to the FCC96 208 and ET95-19

Manufacturer/Importer's Name: **Creative Labs, Inc.**

Manufacturer/Importer's Address: **1901 McCarthy Boulevard
Milpitas, CA. 95035
Tel: (408)428-6600**

declares under its sole responsibility that the product

Trade Name: **Creative**

Model Number: **VF0810**

has been tested according to the FCC / CISPR22 requirement for Class B devices and found compliant with the following standards:

***EMI/EMC: ANSI C63.4, FCC Part 15 Subpart B
Complies with Canadian ICES-003 Class B***

This device complies with part 15 of the FCC Rules.

Operation is subject to the following two conditions:

- (1) This device may not cause harmful interference, and*
- (2) this device must accept any interference received, including Interference that may cause undesirable operation.*

Ce matériel est conforme à la section 15 des règles FCC.

Son Fonctionnement est soumis aux deux conditions suivantes :

- (1) Le matériel ne peut être source D'interférences et*
- (2) Doit accepter toutes les interférences reçues, Y compris celles pouvant provoquer un fonctionnement indésirable.*

Compliance Manager
Creative Labs, Inc.
May 2016

Notice for Korea

B급 기기

(가정용 방송통신기자재)

Class B Equipment

(For Home Use Broadcasting & Communication Equipment)

이 기기는 가정용 (B급) 전자파적합기기로서 주로 가정에서 사용하는 것을 목적으로 하며, 모든 지역에서 사용할 수 있습니다.

This equipment is home use (Class B) electromagnetic wave suitability equipment and to be used mainly at home an it can be used in all areas.

Vietnam RoHS Statement

This product is in compliance with Circular 30/2011/TTBCT of the Ministry of Trade of the Socialist Republic of Vietnam ("Circular"), it does not contain the following substances in concentration greater than the Maximum Limit value as specified in the Circular.

Substance	Maximum Limit (ppm) ^{1, 2}
• lead	1000
• mercury	1000
• cadmium	100
• hexavalent chromium	1000
• polybrominated biphenyls (PBB)	1000
• polybrominated diphenyl ethers (PBDE)	1000

¹ Maximum Limit does not apply to applications exempted from the Circular.

² Maximum Limit refers to concentration by weight in homogeneous materials.

License and Copyright

Information in this document is subject to change without notice and does not represent a commitment on the part of Creative Technology Ltd. No part of this manual may be reproduced or transmitted in any form or by any means, electronic or mechanical, including photocopying and recording, for any purpose without the written permission of Creative Technology Ltd.

© 2016 Creative Labs Pte. Ltd. All rights reserved. Creative, the Creative logo, the BlasterX logo and Creative ALchemy are trademarks or registered trademarks of Creative Technology Ltd. in the United States and/or other countries. Intel and Intel Core are trademarks of Intel Corporation in the U.S. and/or other countries. Microsoft, Windows, Skype and Cortana are either registered trademarks or trademarks of Microsoft Corporation in the United States and/or other countries. Twitch is a trademark or registered trademark of Twitch Interactive Inc. in the U.S. and/or other countries. Other trademarks and trade names are those of their respective owners. All specifications are subject to change without prior notice. Use of this product is subject to a limited hardware warranty. Actual contents may differ slightly from those pictured. The software included in this packaging may not be used separately from the hardware. Before using the software, you must agree to be bound by the terms and conditions of the end user license agreement.

Version 1.0

June 2016